

10113947 - X 0 C - X 0 X L F

6-COLUMN DIFFERENTIAL SIGNAL

LEAD-FREE DESIGNATION ONLY WITH APPLICABLE PLATING CODES

LETTER	PERFORMANCE-BASED PLATING (SEE NOTE 2)	
	TARGET APPLICATION	LEAD FREE (LF)
B	TELCORDIA CO	NO
C	TELCORDIA UE	NO
D	TELCORDIA CO	YES
E	TELCORDIA UE	YES

NUMBER	PIN STYLE, HEIGHT
0	STANDARD GUIDE PIN MACHINED, 25.7mm

MODULE DESCRIPTION	LETTER DESIGNATION REPRESENTED IN DASH NUMBER										BASE MODULE
LEFT POLARIZING GUIDANCE MODULE (SEE SHEET 3)	J	A	B	C	D	E	F	G	H		
RIGHT POLARIZING GUIDANCE MODULE (SEE SHEET 4)	Y	P	Q	R	S	T	U	V	W		
OPEN MODULE (TWO WALL) (SEE SHEET 2)	0 (ZERO)										
LEFT WALL MODULE (SEE SHEET 5)	L										
RIGHT WALL MODULE (SEE SHEET 6)	M										
FOUR WALL MODULE (SEE SHEET 7)	1										

NUMBER	CONTACT MATING WIPE LENGTH		COMPLIANT PIN DRILL SIZE
	SIGNAL	WIDE GROUND	
1	2	4	Ø0.55 [0.0217"]
2	3	4	Ø0.55 [0.0217"]
3	2	4	Ø0.45 [0.0177"]
4	3	4	Ø0.45 [0.0177"]
5	2	3	Ø0.55 [0.0217"]
6	3	3	Ø0.55 [0.0217"]
7	2	3	Ø0.45 [0.0177"]
8	3	3	Ø0.45 [0.0177"]

TABLE 1: OPTIONAL PCB HOLE SIZE (SEE NOTE 11)

	GROUNDED	UNGROUNDED
FINISHED	Ø2.35-2.55	Ø2.35-2.55
PAD	Ø5.50	N/A
PLATED	YES	NO
DRILL (mm/in)	2.58 / .1015	2.44 / .096

TABLE 2: OPTIONAL SCREW TYPE (SEE NOTE 10)

SCREW P/N	DESCRIPTION	BOARD THICKNESS
10091790-002LF	#2-56 X .375" PHILLIPS PANHEAD W/SQ CONICAL WASHER	1.60 - 5.00
10091790-003LF	#2-56 X .500" PHILLIPS PANHEAD W/SQ CONICAL WASHER	5.00 - 10.00

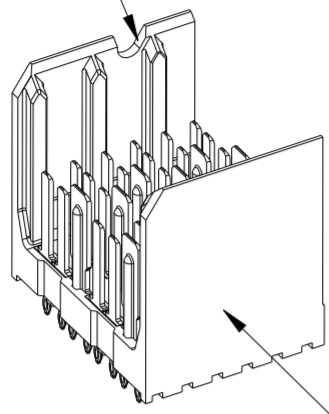
Copyright FCI. FCI

spec ref	SEE NOTES	dr	Kok-Hoe Lee	2010/06/27	projection	MM	size	A2	scale	2:1
tolerance std	ASME Y14.5	eng	Sandar Soe	2014/09/17	chr	-	ecn no	ELX-S-18843-1	rel level	Released
surface	linear	appr	Chen-Hong Tan	2014/12/10	product family	XCede	cat. no.	SEE P/N TREE	Product - Customer Drw	sheet 1 of 8
	angular									

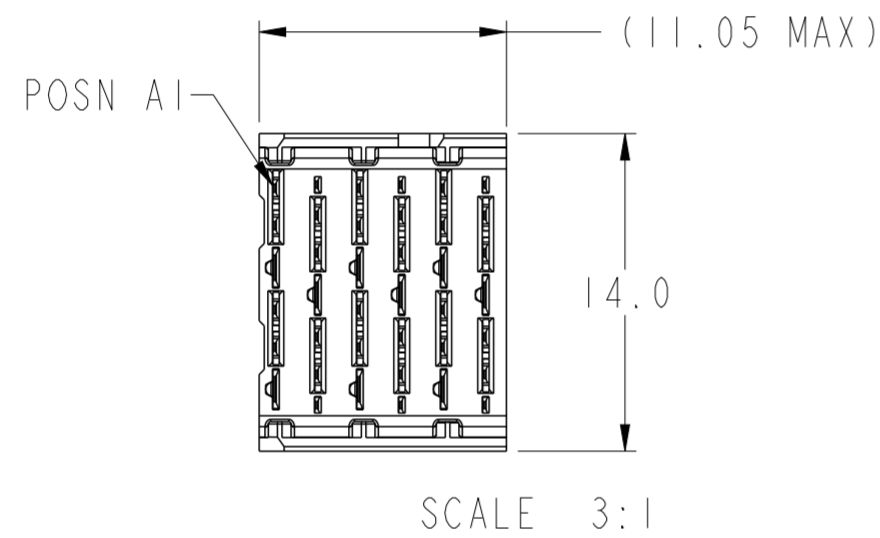
TOLERANCES UNLESS OTHERWISE SPECIFIED
 linear: 0.X ±0.2, 0.XX ±0.10, 0.XXX ±0.050
 angular: 0° ±°
FCI MODULE ASSEMBLY
 VERTICAL HEADER, 6-COLUMN, 2-PAIR
 10113947
F

OPEN (2-WALL) MODULE

SEE NOTE 8

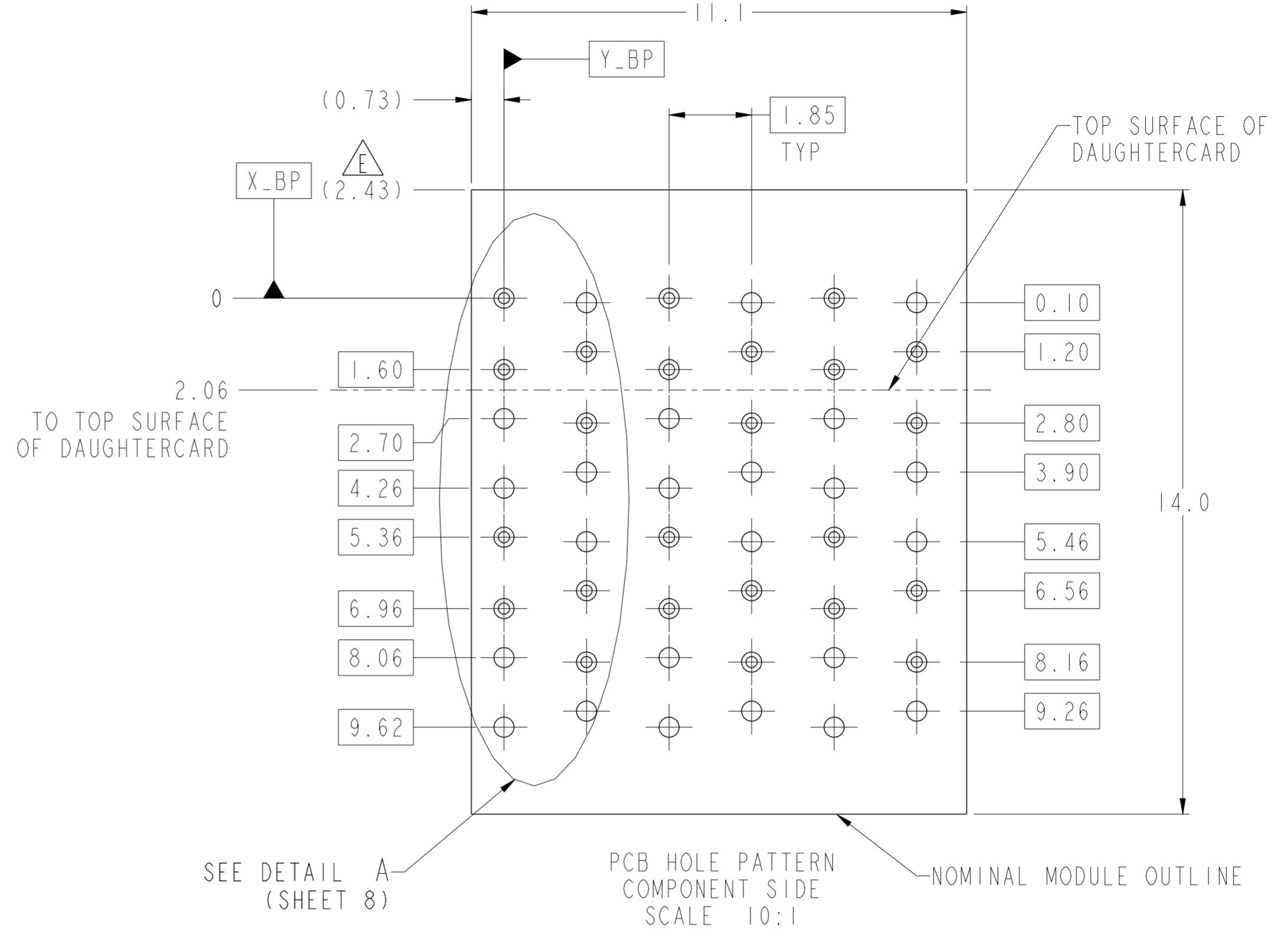
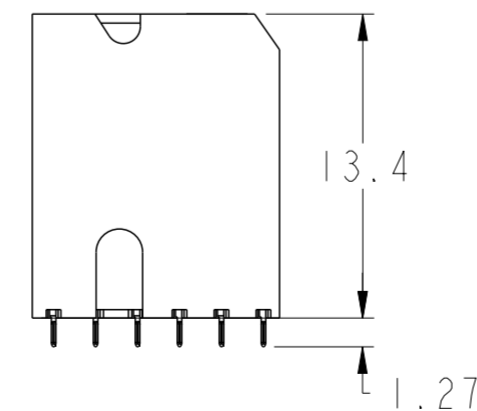
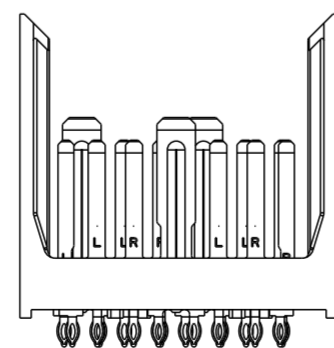
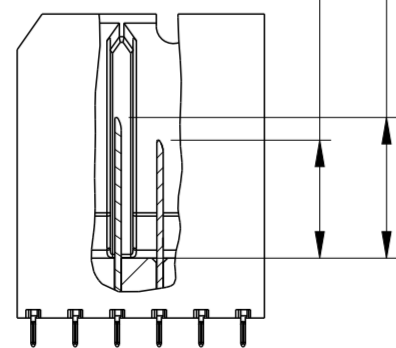


SEE NOTE 5



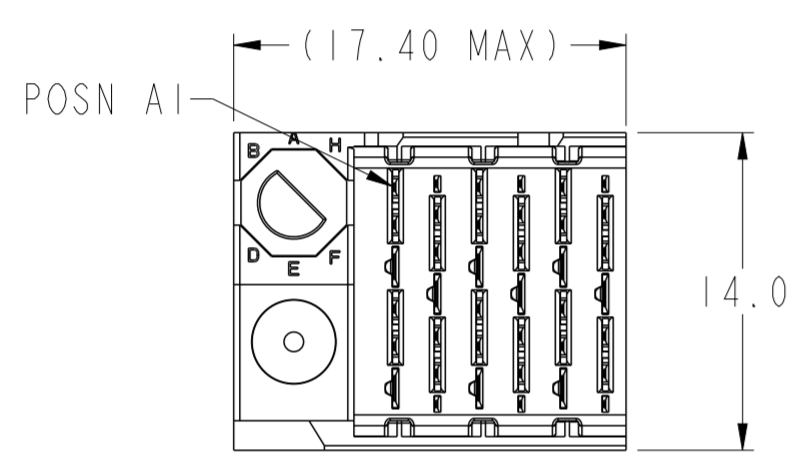
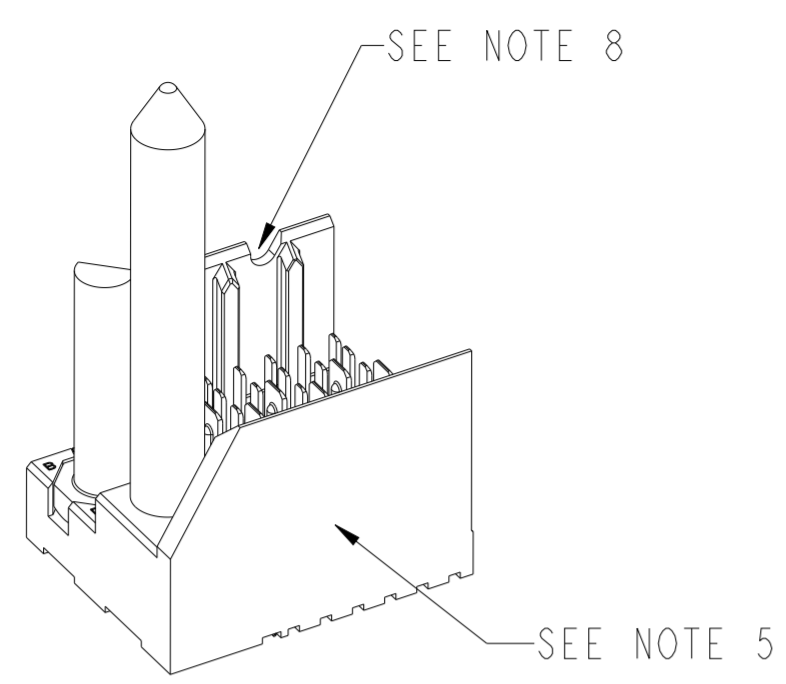
- 6.2 (4MM WIPE WIDE GROUNDS)
- 5.2 (3MM WIPE WIDE GROUNDS)
- 5.2 (3MM SMALL END GROUNDS)
- 5.2 (3MM WIPE SIGNALS)
- 4.2 (2MM WIPE SIGNALS)

(SEE P/N TREE FOR ALL COMBINATIONS AVAILABLE)



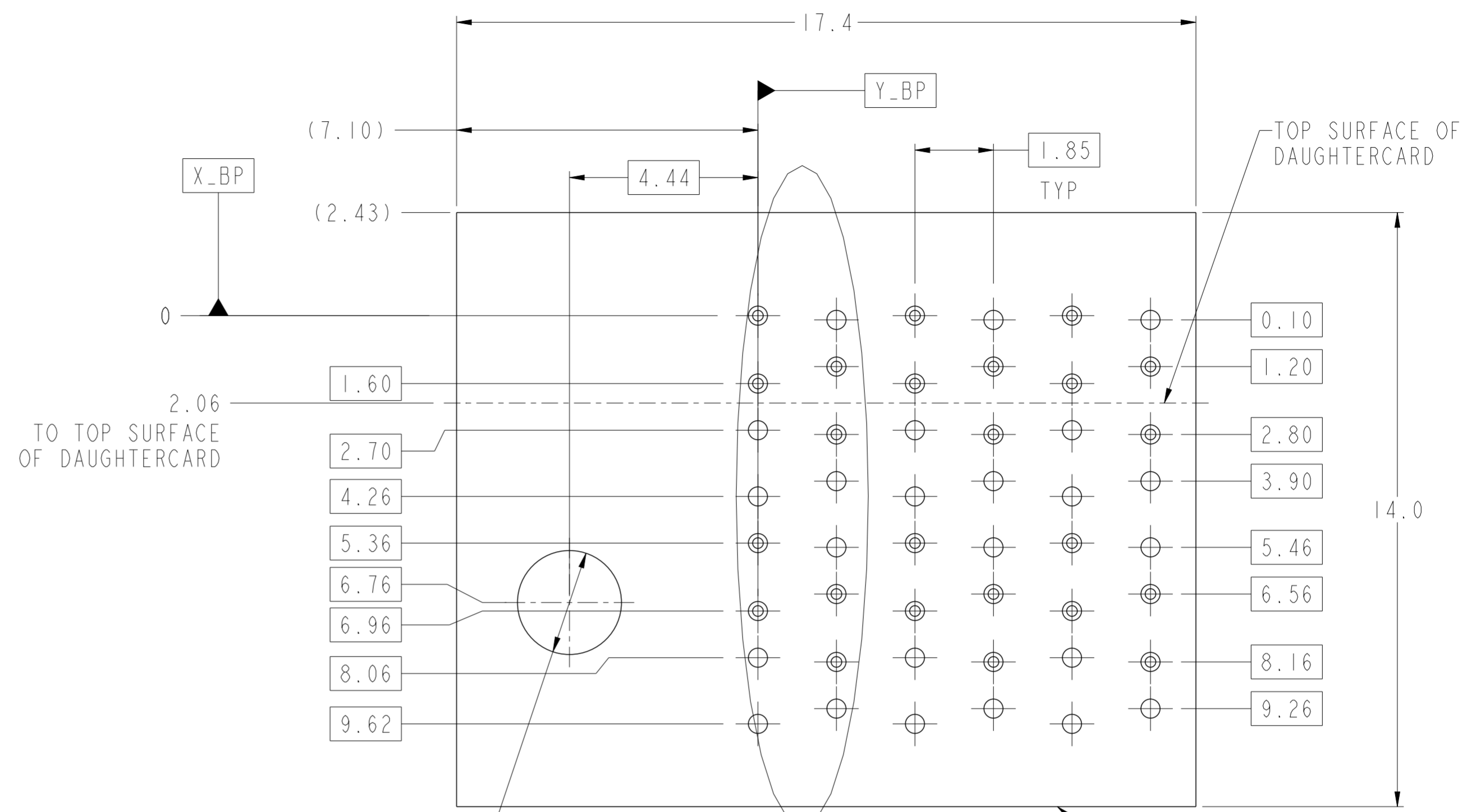
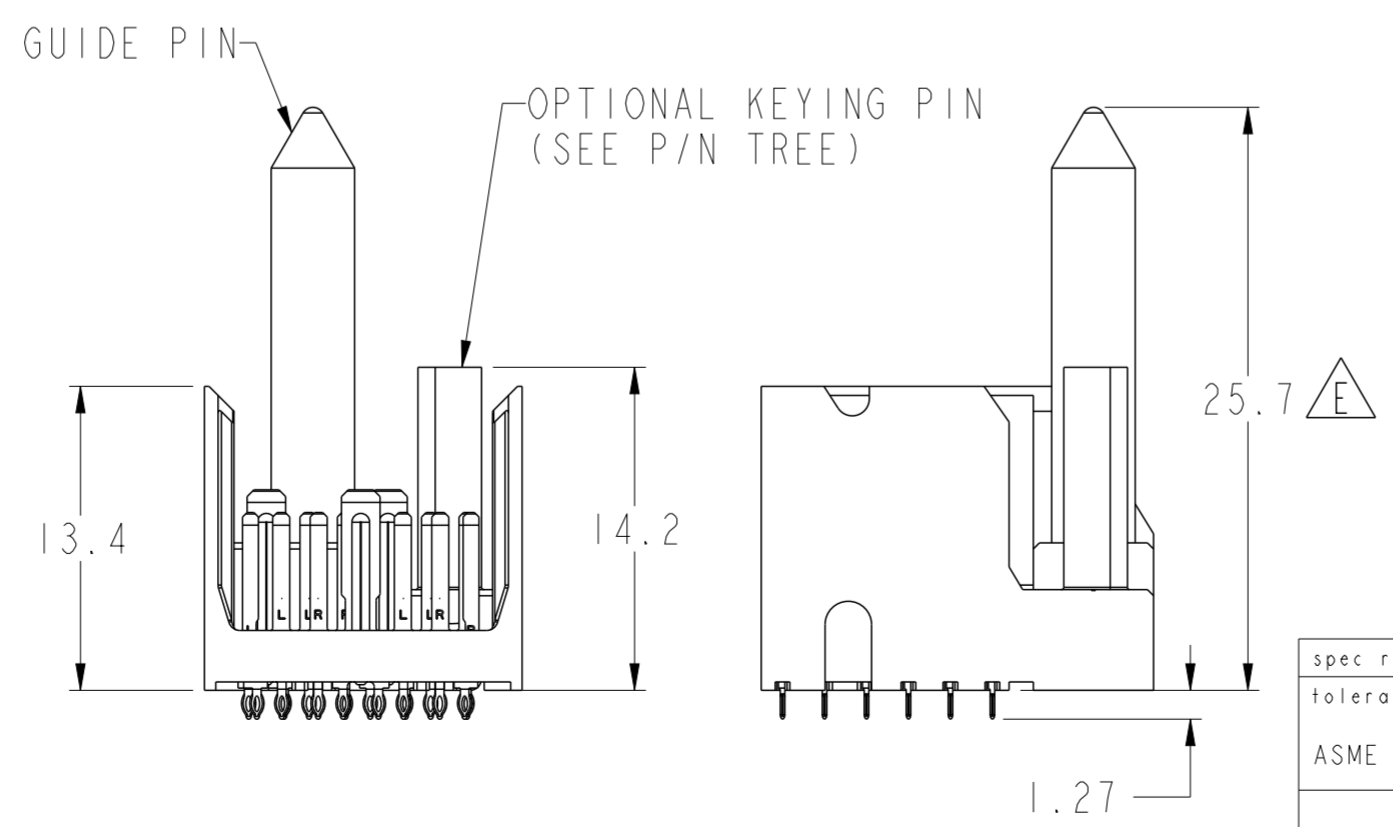
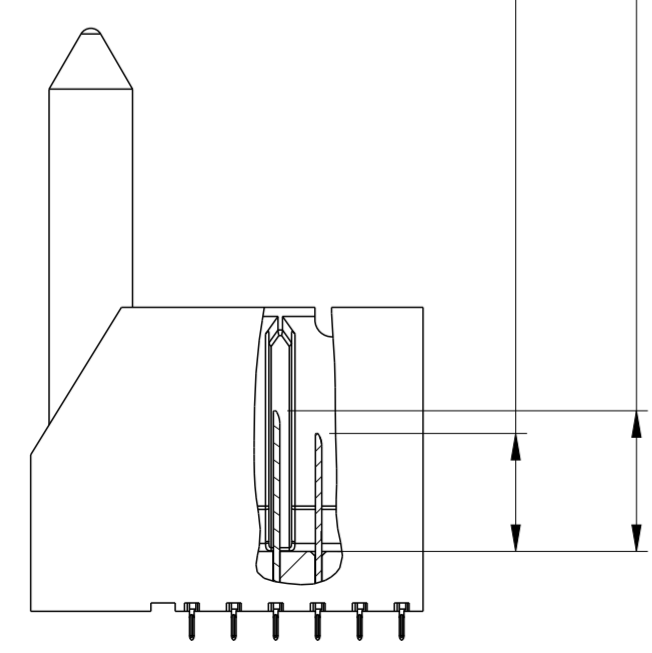
spec ref	SEE NOTES	dr	Kok-Hoe Lee	2010/06/27	projection	MM	size	A2	scale	2:1										
tolerance std	TOLERANCES UNLESS OTHERWISE SPECIFIED	eng	Sandar Soe	2014/09/17			ecn no	ELX-S-18843-1	rel level	Released										
ASME Y14.5		chr	-	2014/12/10							product family	XCede								
surface	<table border="1"> <tr> <td>linear</td> <td>0.X</td> <td>±0.2</td> </tr> <tr> <td></td> <td>0.XX</td> <td>±0.10</td> </tr> <tr> <td></td> <td>0.XXX</td> <td>±0.050</td> </tr> <tr> <td>angular</td> <td>0°</td> <td>±°</td> </tr> </table>	linear	0.X	±0.2		0.XX	±0.10		0.XXX	±0.050	angular	0°	±°	appr	Chen-Hong Tan	2014/12/10	product family	XCede	rel level	Released
linear	0.X	±0.2																		
	0.XX	±0.10																		
	0.XXX	±0.050																		
angular	0°	±°																		
ASME Y14.5		www.fci.com	cat. no.	SEE P/N TREE	Product - Customer Drw	sheet 2 of 8														

LEFT POLARIZING/GUIDE MODULE



SCALE 3:1

- 6.2 (4MM WIPE WIDE GROUNDS)
 - 5.2 (3MM WIPE WIDE GROUNDS)
 - 5.2 (3MM SMALL END GROUNDS)
 - 5.2 (3MM WIPE SIGNALS)
 - 4.2 (2MM WIPE SIGNALS)
- (SEE P/N TREE FOR ALL COMBINATIONS AVAILABLE)



\varnothing 0.10	X_BP	Y_BP
--------------------	------	------

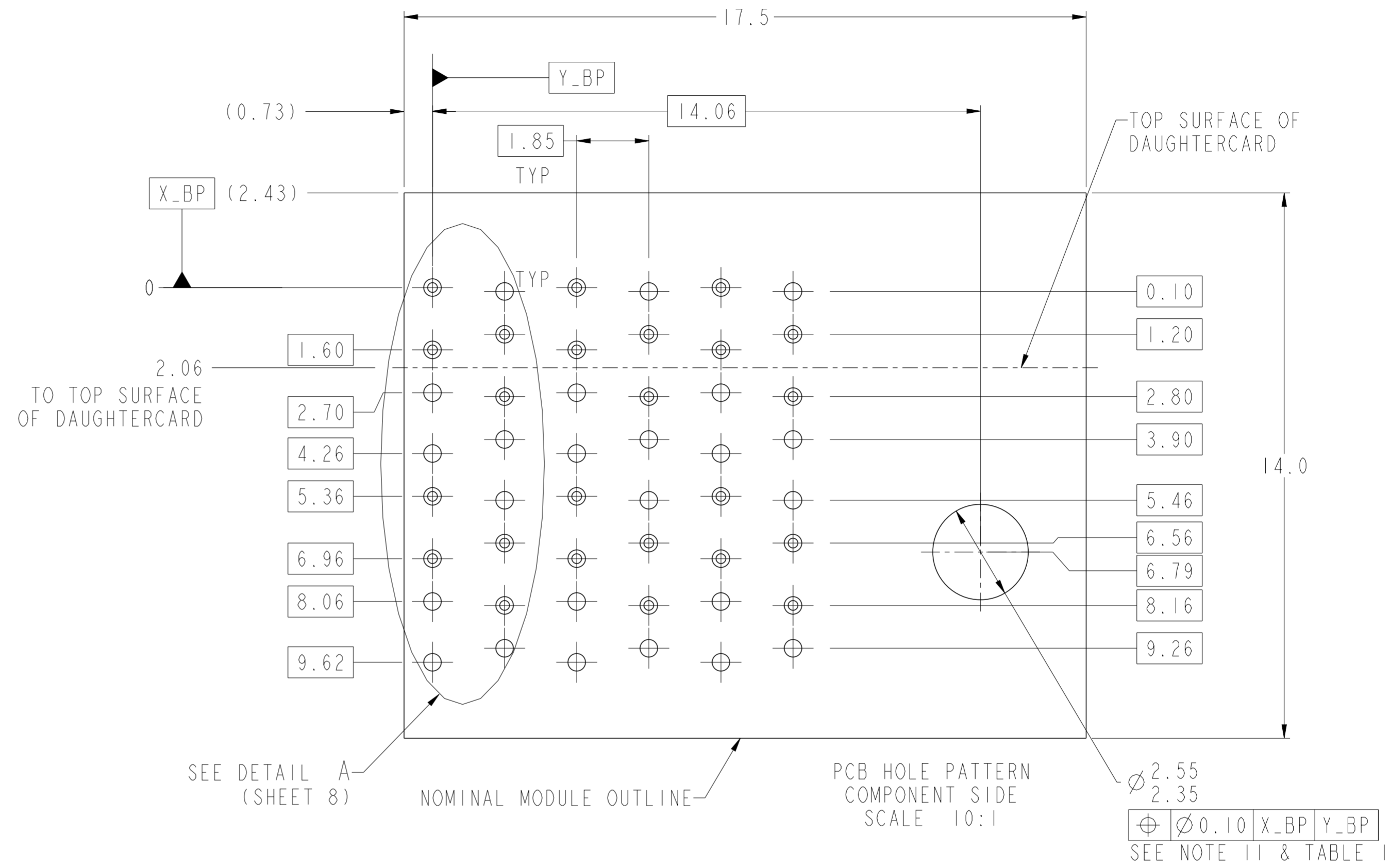
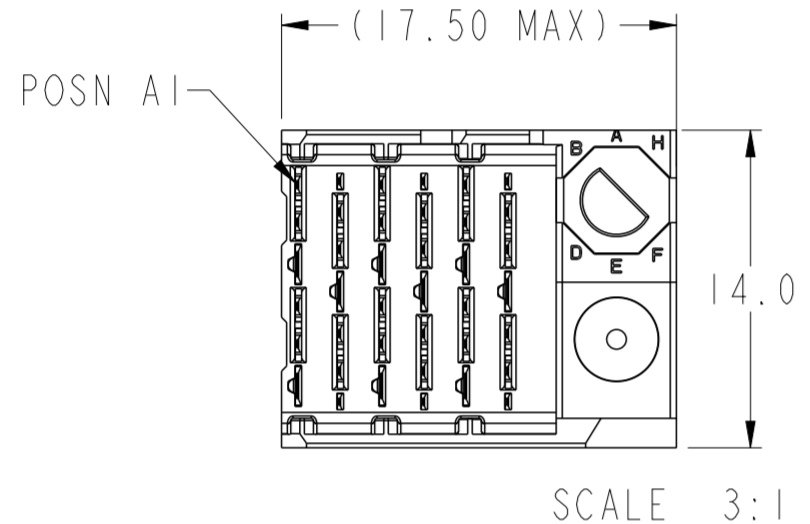
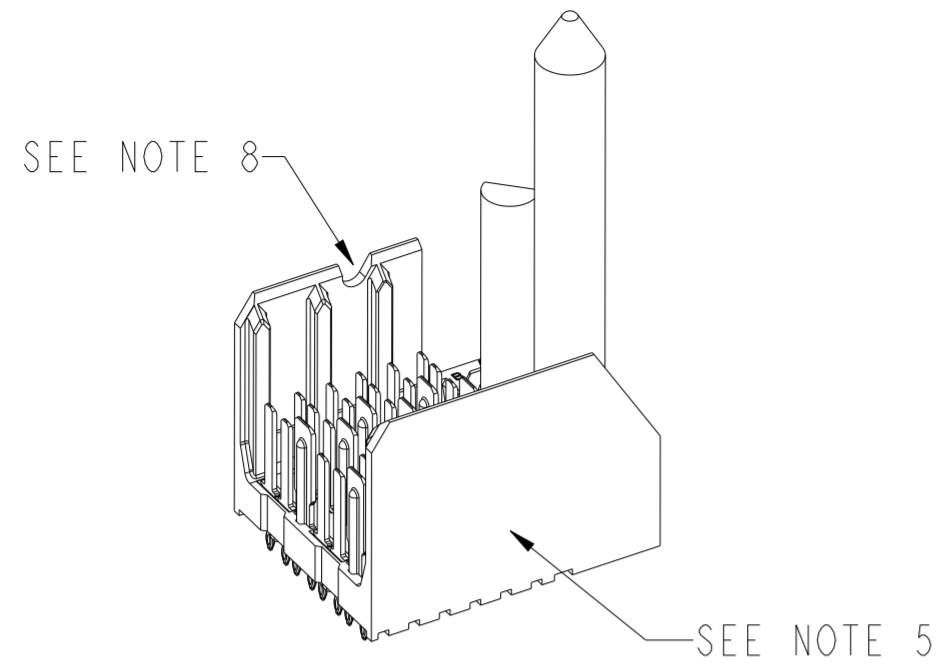
SEE NOTE 11 & TABLE 1

SEE DETAIL A (SHEET 8)

PCB HOLE PATTERN COMPONENT SIDE SCALE 10:1
NOMINAL MODULE OUTLINE

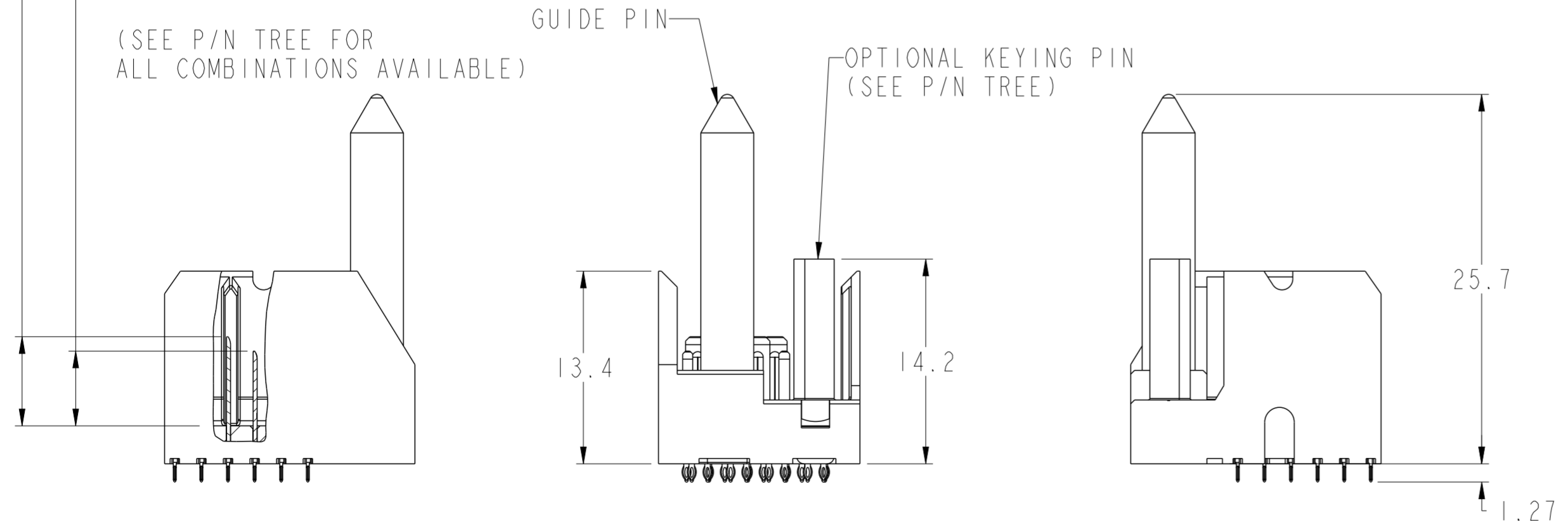
spec ref	SEE NOTES	dr	Kok-Hoe Lee	2010/06/27	projection	MM	size	A2	scale	2:1
tolerance std	ASME Y14.5	eng	Sandar Soe	2014/09/17	chr	-	ecn no	ELX-S-18843-1	rel level	Released
surface	✓	appr	Chen-Hong Tan	2014/12/10	product family	XCede	rel level	Blue	rev	F
ASME Y14.5	linear	0.X	±0.2	0.XX	±0.10	0.XXX	±0.050	angular	0°	±°
				TITLE MODULE ASSEMBLY VERTICAL HEADER, 6-COLUMN, 2-PAIR		cat. no. SEE P/N TREE		Product - Customer Drw		sheet 3 of 8

RIGHT POLARIZING/GUIDE MODULE



- 6.2 (4MM WIPE WIDE GROUNDS)
- 5.2 (3MM WIPE WIDE GROUNDS)
- 5.2 (3MM SMALL END GROUNDS)
- 5.2 (3MM WIPE SIGNALS)
- 4.2 (2MM WIPE SIGNALS)

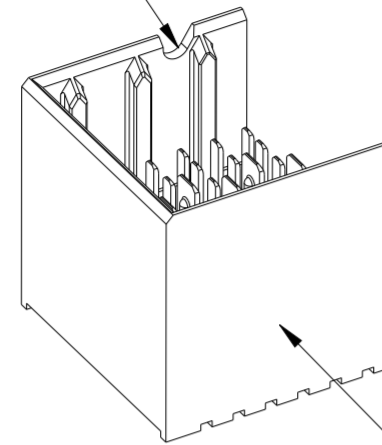
(SEE P/N TREE FOR ALL COMBINATIONS AVAILABLE)



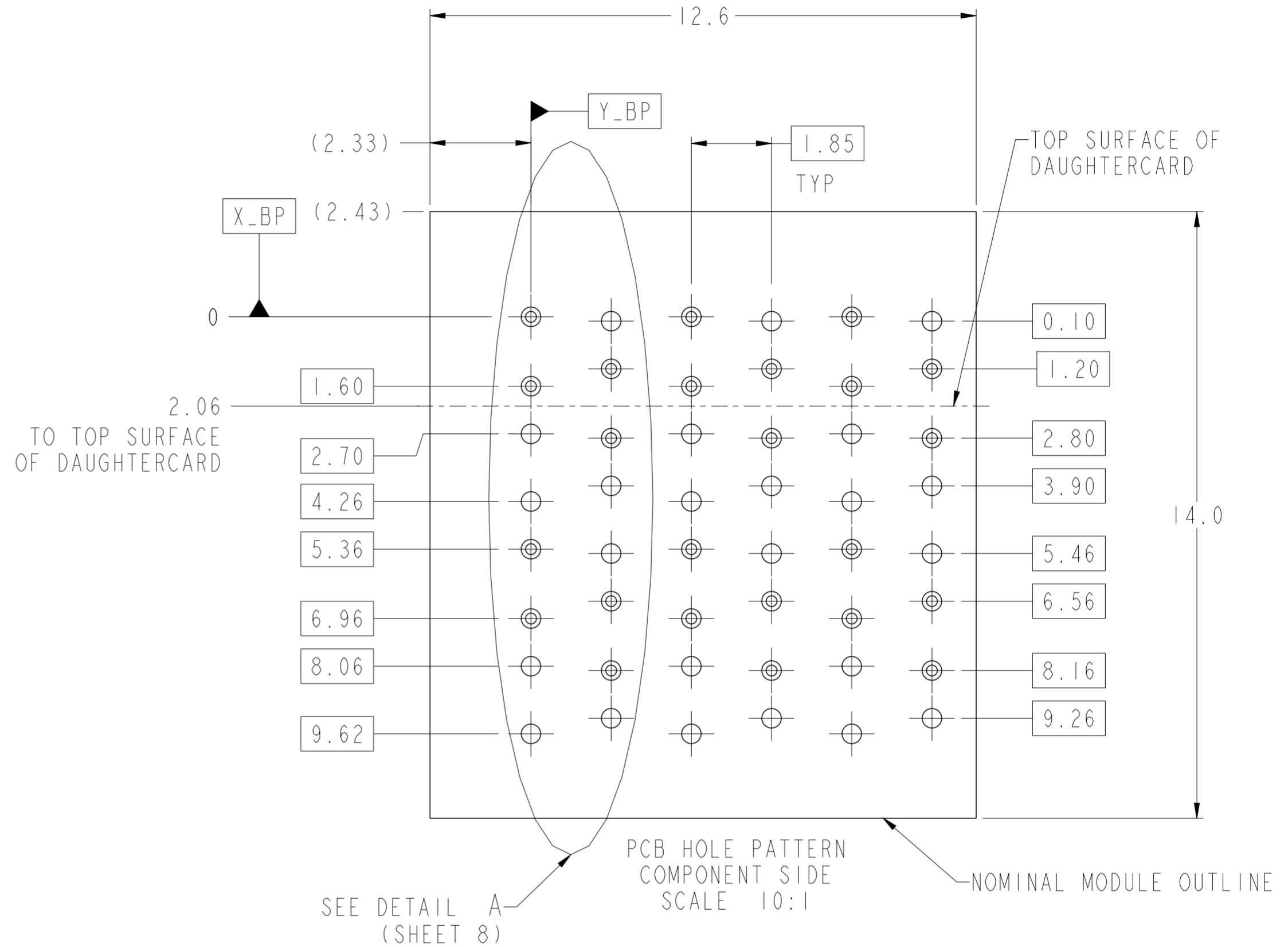
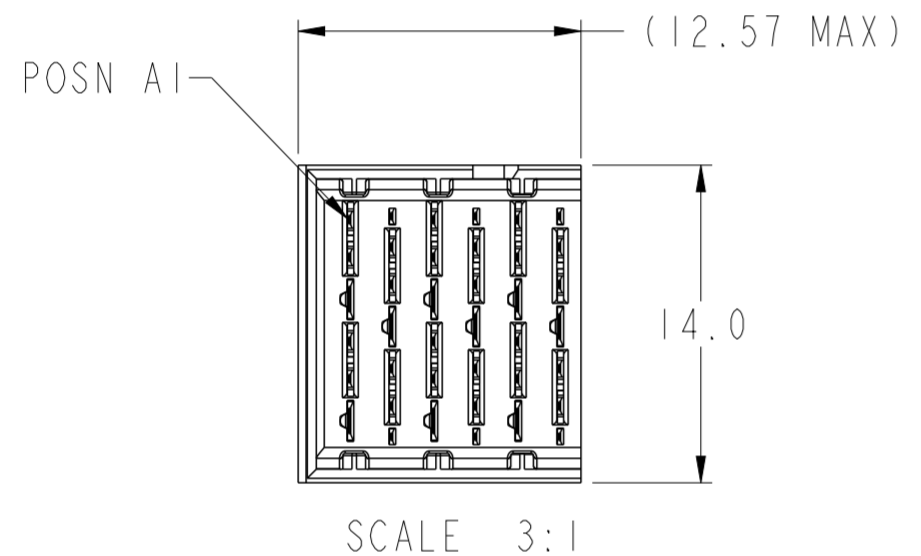
spec ref	SEE NOTES	dr	Kok-Hoe Lee	2010/06/27	projection	MM	size	A2	scale	2:1
tolerance std	ASME Y14.5	eng	Sandar Soe	2014/09/17	chr	-	ecn no	ELX-S-18843-1	rel level	Released
surface	✓	appr	Chen-Hong Tan	2014/12/10	product family	XCode	cat. no.	SEE P/N TREE	Product - Customer Drw	sheet 4 of 8
linear	0.X ±0.2 0.XX ±0.10 0.XXX ±0.050	angular	0° ±°			MODULE ASSEMBLY VERTICAL HEADER, 6-COLUMN, 2-PAIR	title 10113947	rev F		

LEFT WALL MODULE

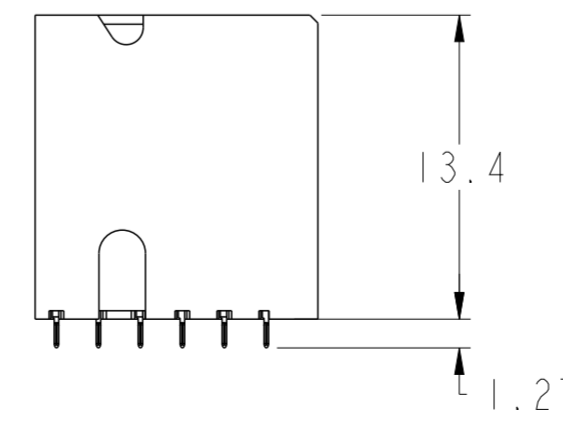
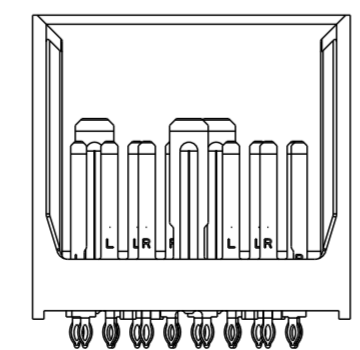
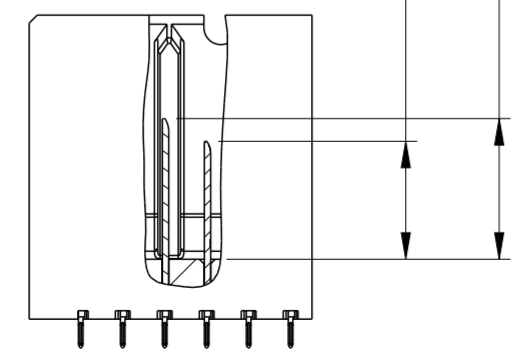
SEE NOTE 8



SEE NOTE 5



- 6.2 (4MM WIPE WIDE GROUNDS)
 - 5.2 (3MM WIPE WIDE GROUNDS)
 - 5.2 (3MM SMALL END GROUNDS)
 - 5.2 (3MM WIPE SIGNALS)
 - 4.2 (2MM WIPE SIGNALS)
- (SEE P/N TREE FOR ALL COMBINATIONS AVAILABLE)



spec ref	SEE NOTES	dr	Kok-Hoe Lee	2010/06/27	projection	MM	size	A2	scale	2:1
tolerance std	ASME Y14.5	eng	Sandar Soe	2014/09/17	chr	-	ecn no	ELX-S-18843-1	rel level	Released
surface	✓	appr	Chen-Hong Tan	2014/12/10	product family	XCede	dwg no	10113947	rev	F
ASME Y14.5	linear	0.X	±0.2	0.XX	±0.10	0.XXX	±0.050	angular	0°	±°
		www.fci.com		cat. no.		SEE P/N TREE	Product - Customer Drw		sheet 5 of 8	

PDS: Rev :F

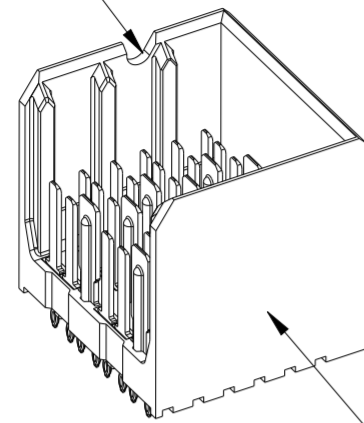
STATUS:Released

Printed: Dec 10, 2014

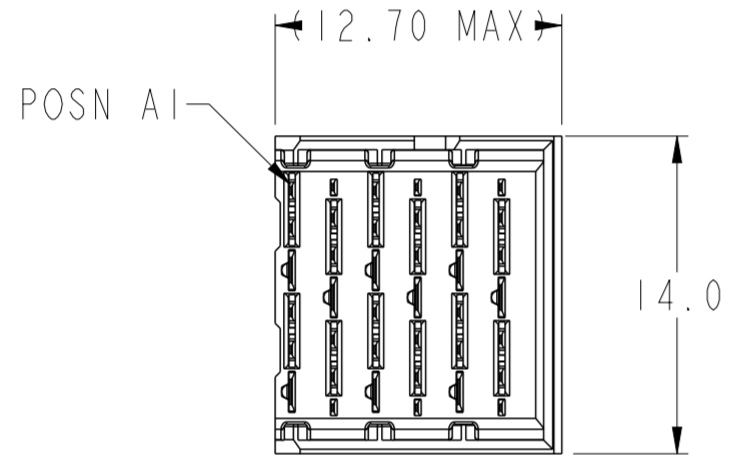
Copyright FCI. FCI

RIGHT WALL MODULE

SEE NOTE 8



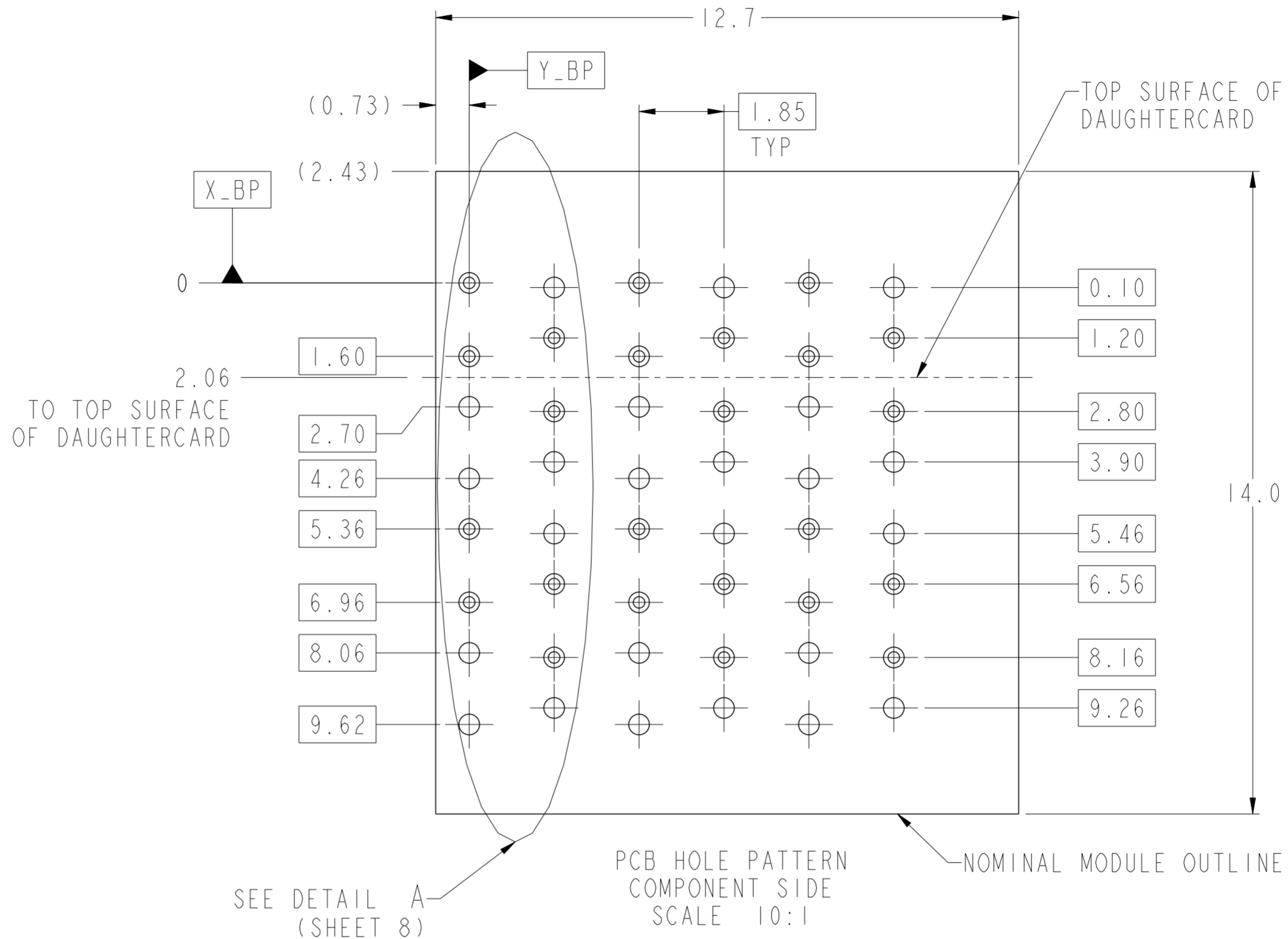
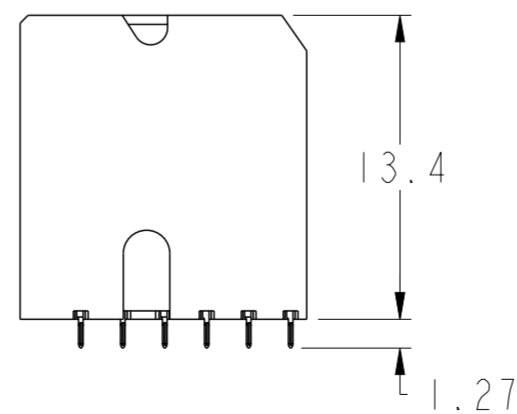
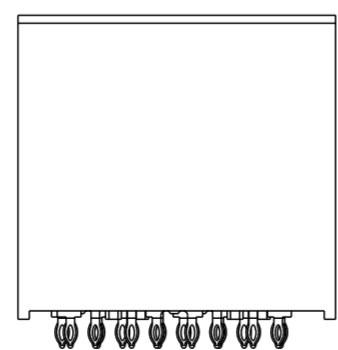
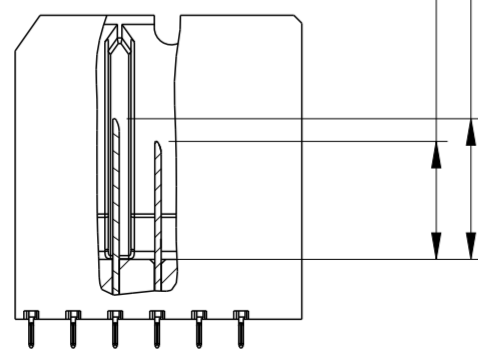
SEE NOTE 5



SCALE 3:1

- 6.2 (4MM WIPE WIDE GROUNDS)
- 5.2 (3MM WIPE WIDE GROUNDS)
- 5.2 (3MM SMALL END GROUNDS)
- 5.2 (3MM WIPE SIGNALS)
- 4.2 (2MM WIPE SIGNALS)

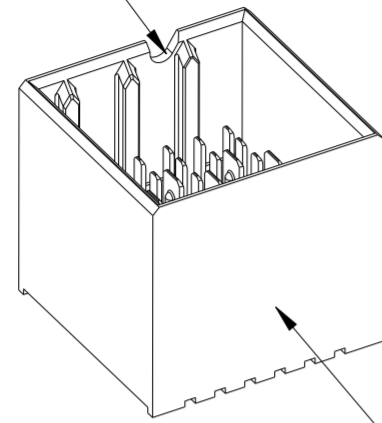
(SEE P/N TREE FOR ALL COMBINATIONS AVAILABLE)



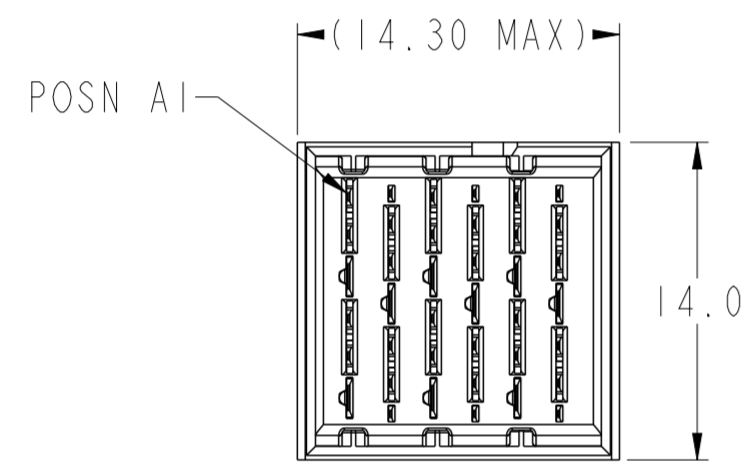
spec ref	SEE NOTES	dr	Kok-Hoe Lee	2010/06/27	projection	MM	size	A2	scale	2:1									
tolerance std	TOLERANCES UNLESS OTHERWISE SPECIFIED	eng	Sandar Soe	2014/09/17			ecn no	ELX-S-18843-1											
ASME Y14.5		chr	-	appr			Chen-Hong Tan	2014/12/10	product family	XCede	rel level	Released							
surface	<table border="1"> <tr> <td>linear</td> <td>0.X</td> <td>±0.2</td> </tr> <tr> <td></td> <td>0.XX</td> <td>±0.10</td> </tr> <tr> <td></td> <td>0.XXX</td> <td>±0.050</td> </tr> <tr> <td>angular</td> <td>0°</td> <td>±°</td> </tr> </table>	linear	0.X	±0.2		0.XX	±0.10		0.XXX	±0.050	angular	0°	±°			MODULE ASSEMBLY VERTICAL HEADER, 6-COLUMN, 2-PAIR		title 10113947	rev F
linear	0.X	±0.2																	
	0.XX	±0.10																	
	0.XXX	±0.050																	
angular	0°	±°																	
ASME Y14.5		www.fci.com	cat. no.	SEE P/N TREE	Product - Customer Drw	sheet 6 of 8													

FOUR WALL MODULE

SEE NOTE 8



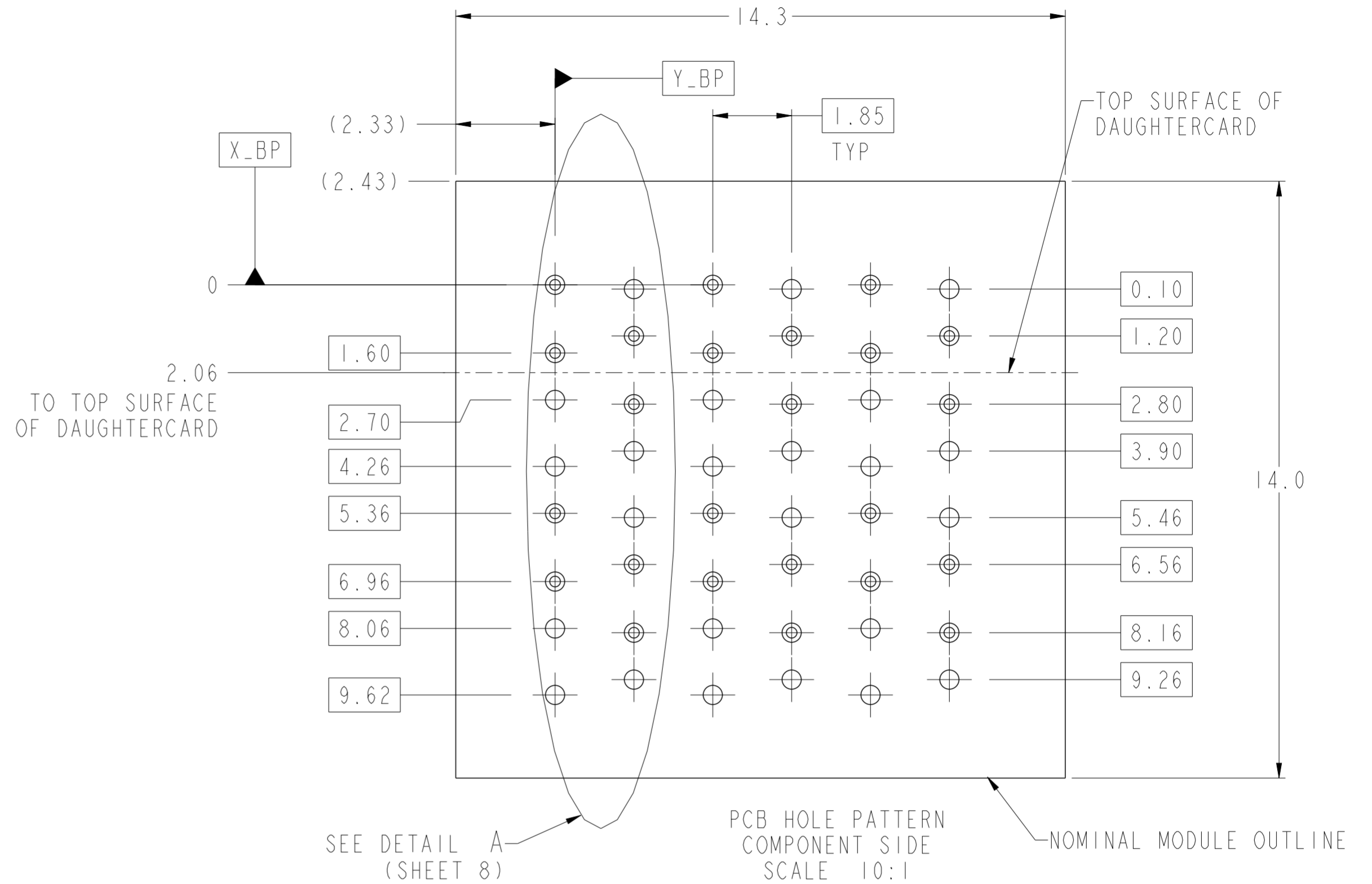
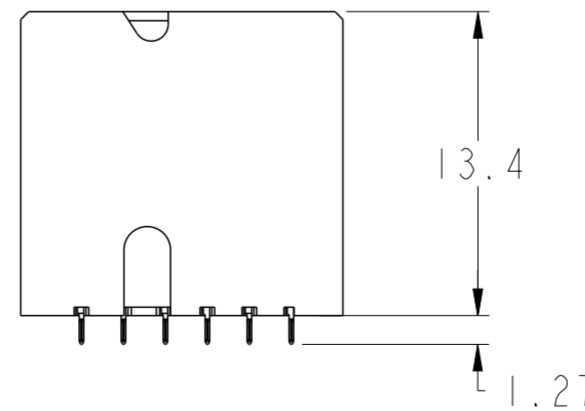
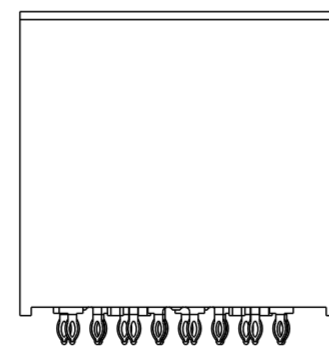
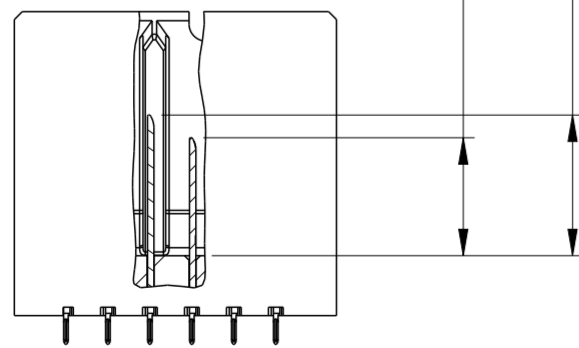
SEE NOTE 5



SCALE 3:1

- 6.2 (4MM WIPE WIDE GROUNDS)
- 5.2 (3MM WIPE WIDE GROUNDS)
- 5.2 (3MM SMALL END GROUNDS)
- 5.2 (3MM WIPE SIGNALS)
- 4.2 (2MM WIPE SIGNALS)

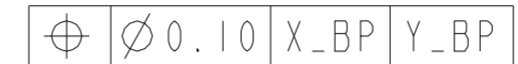
(SEE P/N TREE FOR ALL COMBINATIONS AVAILABLE)



spec ref	SEE NOTES	dr	Kok-Hoe Lee	2010/06/27	projection	MM	size	A2	scale	2:1									
tolerance std	TOLERANCES UNLESS OTHERWISE SPECIFIED	eng	Sandar Soe	2014/09/17			ecn no	ELX-S-18843-1											
ASME Y14.5		chr		rel level			Released												
		appr	Chen-Hong Tan	2014/12/10			product family	XCode											
surface	<table border="1"> <tr> <td>linear</td> <td>0.X</td> <td>±0.2</td> </tr> <tr> <td></td> <td>0.XX</td> <td>±0.10</td> </tr> <tr> <td></td> <td>0.XXX</td> <td>±0.050</td> </tr> <tr> <td>angular</td> <td>0°</td> <td>±°</td> </tr> </table>	linear	0.X	±0.2		0.XX	±0.10		0.XXX	±0.050	angular	0°	±°			TITLE MODULE ASSEMBLY VERTICAL HEADER, 6-COLUMN, 2-PAIR		dwg no 10113947	rev F
linear	0.X	±0.2																	
	0.XX	±0.10																	
	0.XXX	±0.050																	
angular	0°	±°																	
ASME Y14.5		www.fci.com		cat. no. SEE P/N TREE	Product - Customer Drw	sheet 7 of 8													

TABLE 3: PTH AND PAD SIZES WITH REFERENCE TO COMPLIANT PIN DRILL		
COMPLIANT PIN DRILL	PTH	PAD
Ø0.55 [0.0217"]	Ø0.45±0.05	Ø0.85
Ø0.45 [0.0177"]	Ø0.36±0.05	Ø0.75

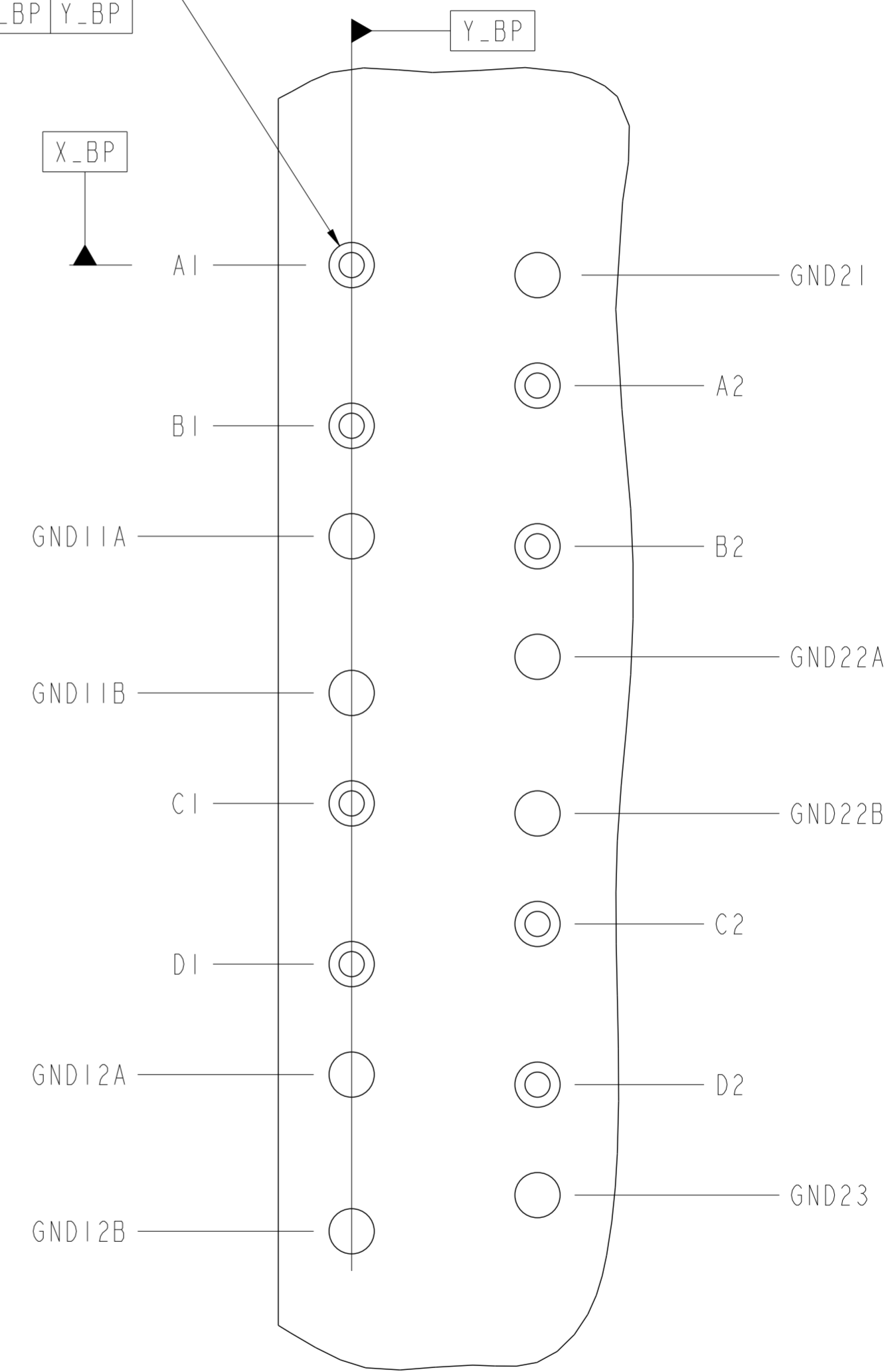
REFER TO TABLE 3 FOR PTH, DRILL & PAD SIZES



- NOTES:
- CONNECTOR MATERIALS
SHROUD: HIGH-TEMP THERMOPLASTIC, GRAY, UL94V-0
CONTACTS: HIGH PERFORMANCE COPPER ALLOY
 - CONTACT PLATING:

SEPARABLE INTERFACE: PERFORMANCE-BASED PLATING, QUALIFIED TO MEET THE REQUIREMENTS OF FCI PRODUCT SPECIFICATION GS-12-588, INCLUDING TELCORDIA GR-1217-CORE (NOVEMBER 1995) CENTRAL OFFICE TEST (CO) OR UNCONTROLLED ENVIRONMENT TEST SEQUENCE AS NOTED IN P/N TREE.

PRESS-FIT TAILS: TIN OVER NICKEL, OR TIN-LEAD ALLOY OVER NICKEL. SEE P/N TREE.
 - PRODUCT SPECIFICATION: GS-12-588
 - APPLICATION SPECIFICATION: GS-20-121
 - PRODUCT MARKING (PART NUMBER AND LOT CODE) ON THESE SURFACES.
 - HOUSING MUST WITHSTAND EXPOSURE TO 260°C PEAK TEMPERATURE FOR 40 SECONDS IN A CONVECTION, INFRA-RED, OR VAPOR-PHASE REFLOW OVEN.
 - PACKAGING MEETS GS-14-920 LEAD-FREE LABELING SPECIFICATION.
 - NOTCH INDICATES "ROW A" SIDE OF CONNECTOR.
 - SEE APPLICATION SPECIFICATION FOR ROUTING GUIDELINES, ADDITIONAL PTH GUIDELINES, MATED DIMENSIONS, GUIDE PN SELECTION, ETC.
 - SCREW IS OPTIONAL AND ENGAGES WITH BOTTOM OF GUIDE-PIN FROM BENEATH THE PCB FOR ADDITIONAL GUIDE-PIN SUPPORT.
 - OPTIONAL HOLE LOCATION FOR GROUNDED PIN OR ADDITIONAL GUIDE-PIN SUPPORT. SEE TABLE 1 ON SHEET 1 FOR ADDITIONAL DETAILS.
 - A SYMBOL WILL BE NEXT TO ANY DIMENSION, VIEW, OR NOTE WHICH HAS BEEN MODIFIED WITH THE CURRENT DRAWING REVISION.



DETAIL A
SCALE 20:1

spec ref	SEE NOTES	dr	Kok-Hoe Lee	2010/06/27	projection	MM	size	A2	scale	2:1		
tolerance std	TOLERANCES UNLESS OTHERWISE SPECIFIED	eng	Sandar Soe	2014/09/17		MM	ecn no	ELX-S-18843-1	rel level	Released		
ASME Y14.5		chr	-	2014/12/10							product family	XCede
		appr	Chen-Hong Tan									
surface	linear	0.X	±0.2		TITLE		cat. no.	SEE P/N TREE	Product - Customer Drw	sheet 8 of 8		
ASME Y14.5	angular	0.XX	±0.10		MODULE ASSEMBLY						10113947	
		0.XXX	±0.050		VERTICAL HEADER, 6-COLUMN, 2-PAIR							
		0°	±°	www.fci.com								